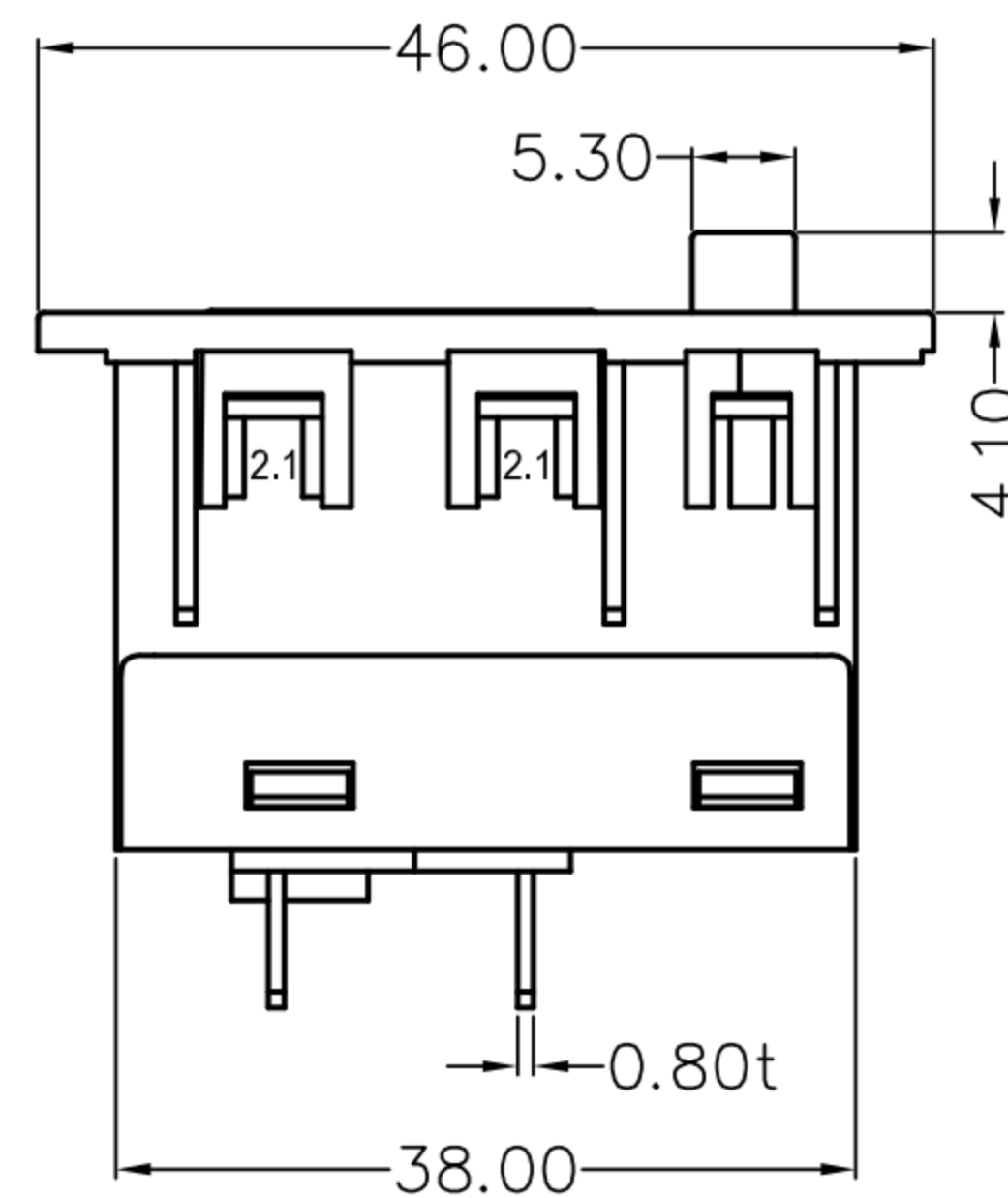
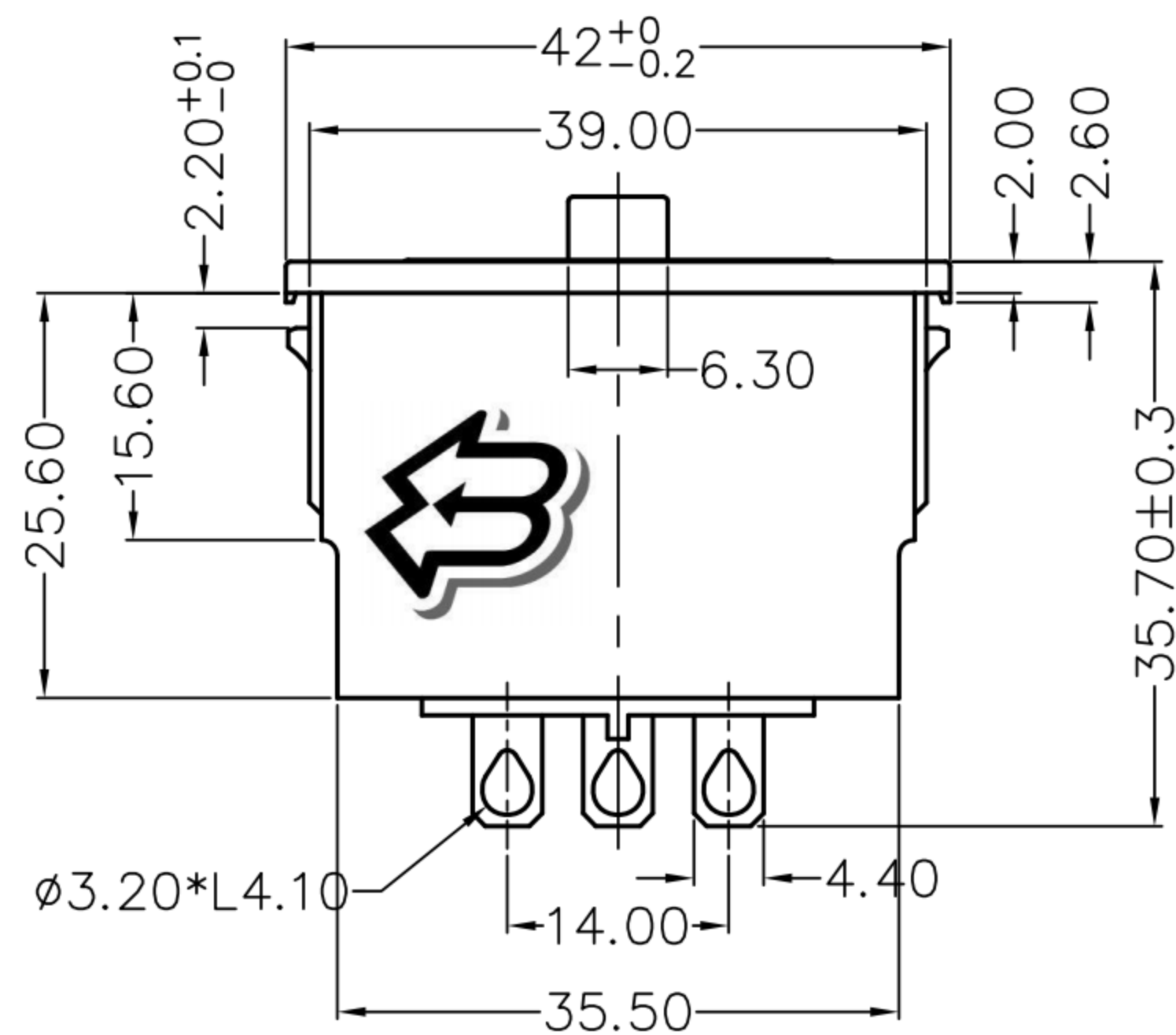


PANEL CUT-OUT



**SPECIFICATION**

A: MATERIAL:

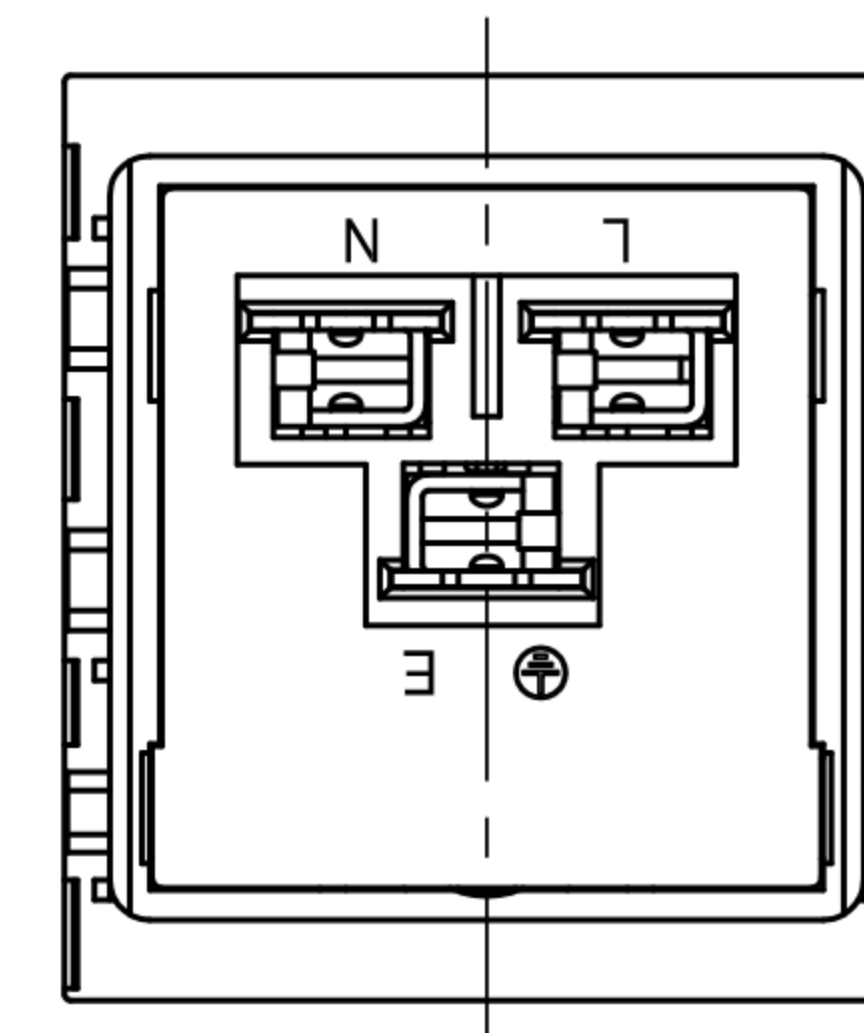
1. HOUSING & COVER: PC(BLACK), UL 94V-0
2. HANDLE: PC(RED), UL 94V-0
3. DOOR: IRON ALLOY, NICKEL PLATED
4. TERMINAL: COPPER ALLOY, TIN PLATED
5. SPRING: IRON ALLOY, ZINC PLATED

B: CHARACTERISTICS:

1. RATING: 16A 250V~ TUV,CCC  
20A 250V~ UL
2. INSULATION RESISTANCE: 100MΩ MIN, AT 500V DC
3. ELECTRIC STRENGTH: AC 2000V FOR ONE MINUTE
4. PREVENT SHEDDING FORCE: 10KG MIN.

C: APPROVALS:

UL, CUL, TUV & CCC



**東莞市高迪電子有限公司**  
DONG GUAN GAO DI ELECTRONICS CO., LTD

TOLERANCE UNLESS OTHERWISE STATED:  
Up to 5 ±0.2  
Above 5 ~ 15 ±0.3  
Above 15 ~ 30 ±0.4  
Above 30 ~ 50 ±0.5  
Angle ±0.3°

3RD. ANGEL'S

UNITS MM

DRAWN BY: DATE  
Ming Ming Zou 10/31/13

CHECKED BY: DATE  
Ning Ning Su 10/31/13

APPROVED BY: DATE  
Jia Xiang 10/31/13

MAT'L		TITLE	SWITCH
FINISH		MODLE	AC POWER SOCKET
SCALE	1:1	DWG NO.	GD-BT-19-1AB-S
SHEET NO.	1 of 1	PART NO.	

ITEM NO.	DESCRIPTION	DRAWN	DATE
A	B		

SIZE  
A4  
VER  
R